

# Technical data sheet



## Product features

### Electric fryer 2 baskets 0,77 kW/l, 13+13 l on cabinet 400 V

<b>Model</b>	<b>SAP Code</b>	00007380
--------------	-----------------	----------



- Basin volume [l]: 13
- Drain type: Trough the cabinet
- Drain: Yes
- Maximum device temperature [°C]: 190
- Minimum device temperature [°C]: 50
- Material: Stainless steel
- Heating location: Inside the tank
- Ignition: Electric
- Number of baskets: 2
- Basket size [mm]: 2x 210 x 300 x 120

<b>SAP Code</b>	00007380	<b>Basin volume [l]</b>	13
<b>Net Width [mm]</b>	658	<b>Number of basins</b>	2
<b>Net Depth [mm]</b>	609	<b>Number of baskets</b>	2
<b>Net Height [mm]</b>	900	<b>Basket size [mm]</b>	2x 210 x 300 x 120
<b>Net Weight [kg]</b>	32.00	<b>Ratio power/volume [kW/l]</b>	0.77
<b>Power electric [kW]</b>	19.800	<b>Production of fries [kg/h]</b>	28
<b>Loading</b>	400 V / 3N - 50 Hz		

# Technical data sheet



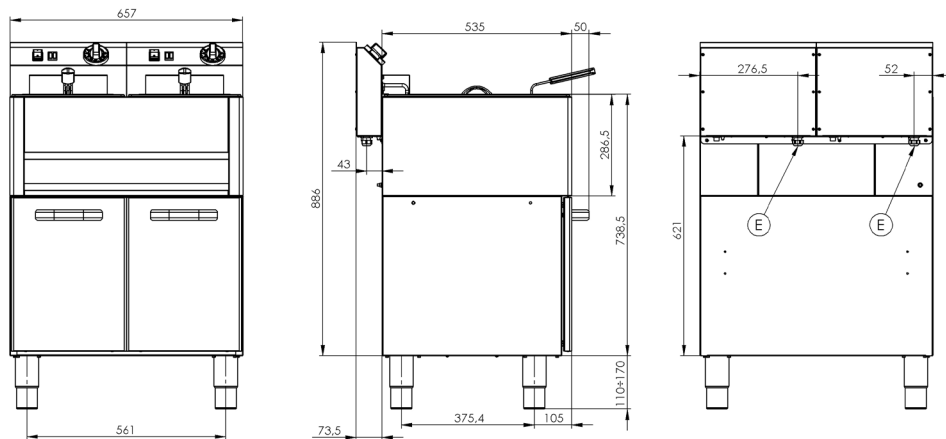
Technical drawing

Electric fryer 2 baskets 0,77 kW/l, 13+13 l on cabinet 400 V

Model

SAP Code

00007380



### Electric fryer 2 baskets 0,77 kW/l, 13+13 l on cabinet 400 V

Model

SAP Code

00007380

1

#### All-stainless steel bathtub

long life  
resistance of AISI 304 stainless steel material  
the material does not cut

- savings on service interventions
- easier and faster operation

2

#### Degree of protection of the control elements IPX4

maintenance-free system  
resistance to splash water  
long life

- savings on service interventions
- easy cleaning and maintenance of equipment

3

#### Outlet into a removable collector in the base with a sieve against coarse dirt

outlet of the bath into the prepared container

- easy and safe handling

4

#### Cold zone

prevents food residues from burning  
there is no change in the taste of the oil

- longer oil life
- easy access and maintenance

5

#### Removable heating element

longer lifetime  
easy access

- fully removable electric box with heating element for convenient cleaning and servicing
- easy access even to corners and time saving

6

#### Higher rear chimney

prevention of spontaneous combustion

- safer heat dissipation and separation of oil and ventilation from the fryer

7

#### 2 thermostats

safety and working thermostat

- traffic safety
- prevention of spontaneous combustion
- Prevention of oil flashover

# Technical data sheet



## Technical parameters

### Electric fryer 2 baskets 0,77 kW/l, 13+13 l on cabinet 400 V

<b>Model</b>	<b>SAP Code</b>	00007380
--------------	-----------------	----------

**1. SAP Code:**

00007380

**2. Net Width [mm]:**

658

**3. Net Depth [mm]:**

609

**4. Net Height [mm]:**

900

**5. Net Weight [kg]:**

32.00

**6. Gross Width [mm]:**

705

**7. Gross depth [mm]:**

725

**8. Gross Height [mm]:**

1120

**9. Gross Weight [kg]:**

38.00

**10. Device type:**

Electric unit

**11. Construction type of device:**

With substructure

**12. Power electric [kW]:**

19.800

**13. Loading:**

400 V / 3N - 50 Hz

**14. Ignition:**

Electric

**15. Protection of controls:**

IPX4

**16. Material:**

Stainless steel

**17. Indicators:**

operation and warm-up

**18. Worktop material:**

AISI 304

**19. Worktop Thickness [mm]:**

0.80

**20. Standard equipment for device:**

lid and basket

**21. Basin volume [l]:**

13

**22. Maximum device temperature [°C]:**

190

**23. Minimum device temperature [°C]:**

50

**24. Safety thermostat up to x ° C:**

235

**25. Adjustable feet:**

Yes

**26. Heating element material:**

AISI 304

**27. Number of baskets:**

2

**28. Number of basins:**

2

# Technical data sheet



Technical parameters

Electric fryer 2 baskets 0,77 kW/l, 13+13 l on cabinet 400 V

Model

SAP Code

00007380

**29. Basket size [mm]:**

2x 210 x 300 x 120

**30. Basin material:**

AISI 304 - High quality stainless steel

**31. Ratio power/volume [kW/l]:**

0.77

**32. Production of fries [kg/h]:**

28

**33. Heating element construction:**

Large surface area coiled heating element for extended service life and even heating of the oil bath

**34. Drain type:**

Trough the cabinet

**35. Drain:**

Yes

**36. Heating location:**

Inside the tank

**37. Cross-section of conductors CU [mm<sup>2</sup>]:**

10

- Výkon (kW): 5,7-6,6 (230 V); 9,8-11 (400 V)